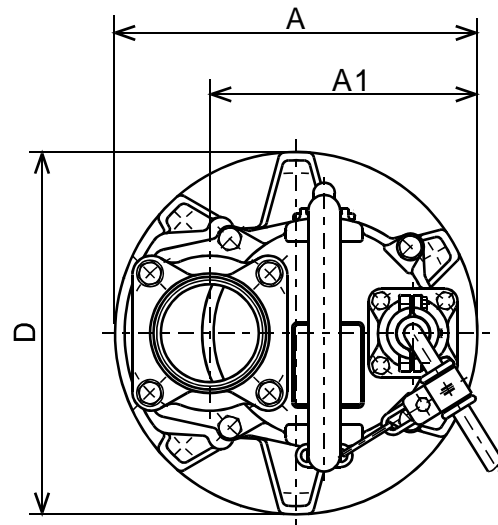
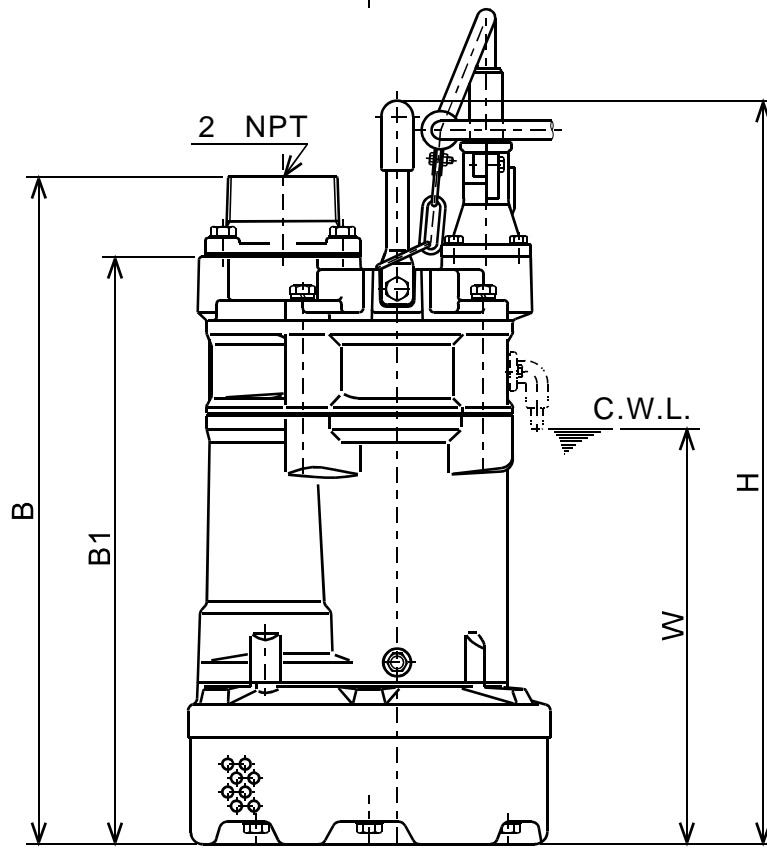


**TSURUMI PUMP**
KTVE - SERIES
SEMI-VORTEX - DEWATERING PUMPS (AUTO TYPE)
DIMENSIONS**KTVE33.7-60**

C.W.L.: Continuous running Water Level

DIMENSIONS:USCS (Inch)

Model	HP	NOM. SIZE	Pump & Motor						C.W.L.	Wt. (lbs.)
			A	A1	B	B1	D	H	W1	
KTVE33.7-60	5	3"	11 1/4	8 5/16	20 11/16	18 3/16	11 1/4	23 1/16	12 7/8	88

DIMENSIONS:METRIC (mm)

Model	kW	NOM. SIZE	Pump & Motor						C.W.L.	Wt. (kg)
			A	A1	B	B1	D	H	W1	
KTVE33.7-60	3.7	80	285	211	525	462	285	585	327	40.0

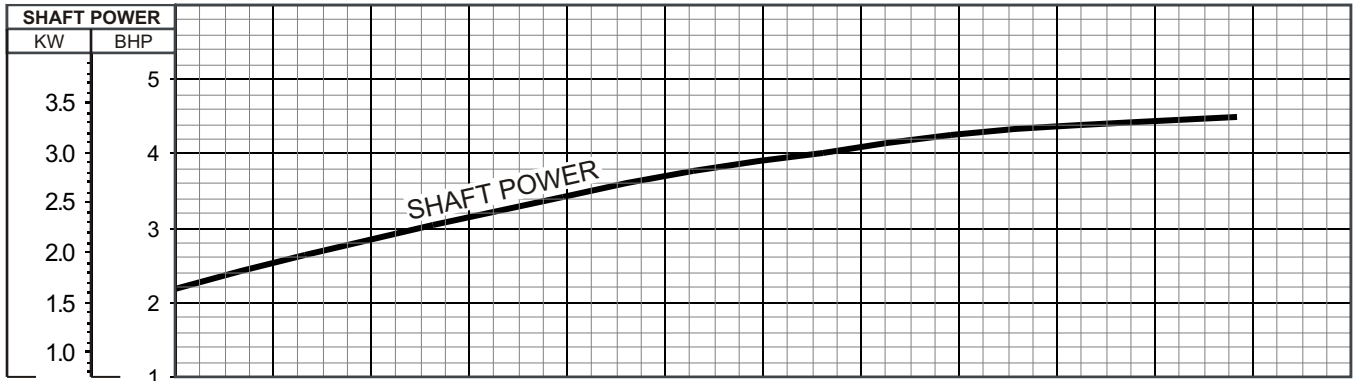
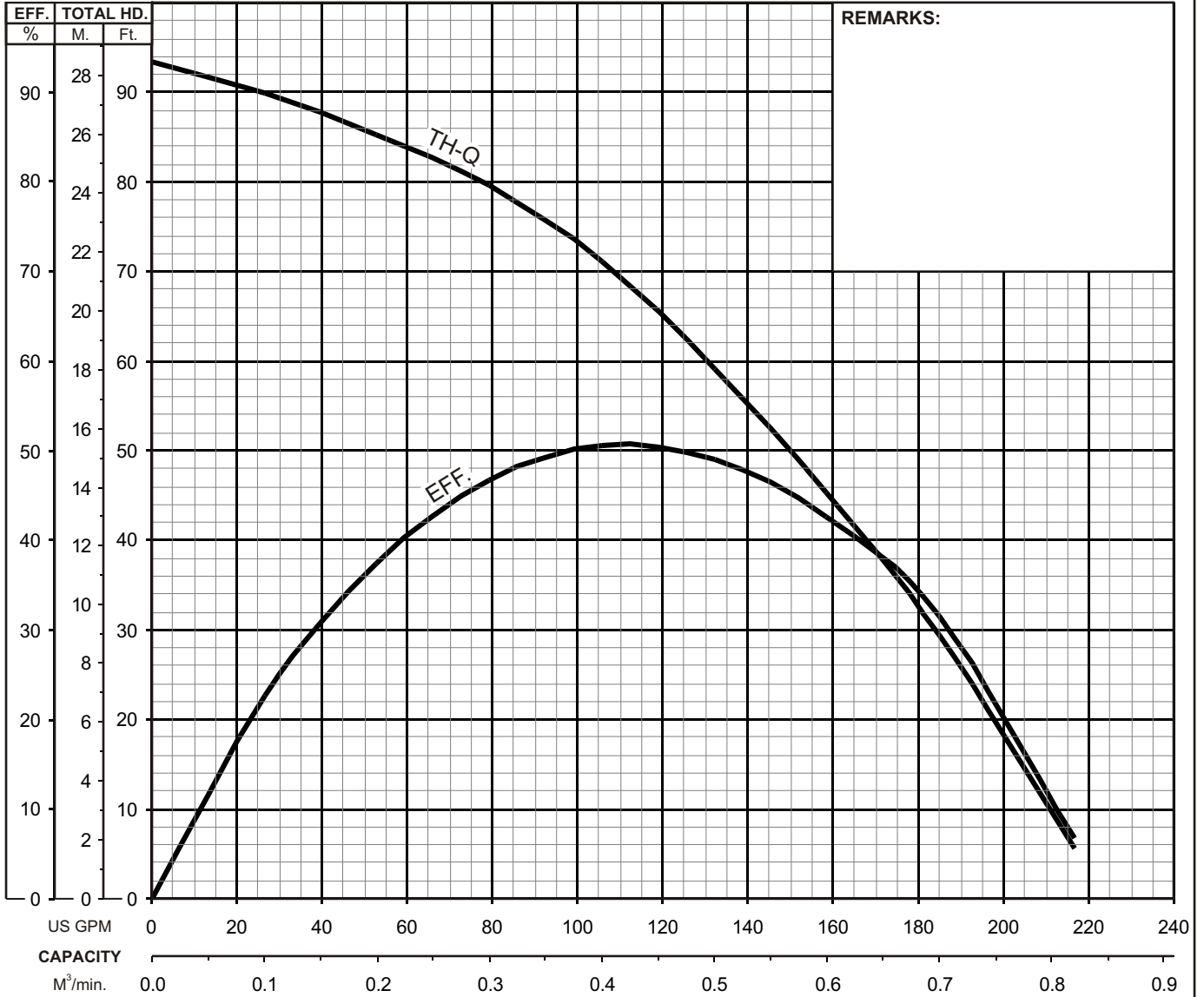


KTVE - SERIES

SEMI-VORTEX - DEWATERING PUMPS (AUTO TYPE)

PERFORMANCE CURVE

MODEL	BORE	HP	KW	RPM	SOLIDS DIA	LIQUID	SG.	VISCOSITY	TEMP.
KTVE33.7-60	3"/80mm	5	3.7	3450	0.334"/8.5mm	Water	1.0	1.81 CST	60°F
PUMP TYPE	PHASE	VOLTAGE	AMPERAGE		HZ	STARTING METHOD	INS. CLASS		
Semi-Vortex - Dewatering Pump	3	208 / 230 / 460 / 575	14.2 / 12.6 / 6.3 / 5.0		60	Direct On Line	E		
CURVE No.	DATE	PHASE	VOLTAGE	AMPERAGE	HZ	STARTING METHOD	INS. CLASS		
-	-	-	-	-	-	-	-		

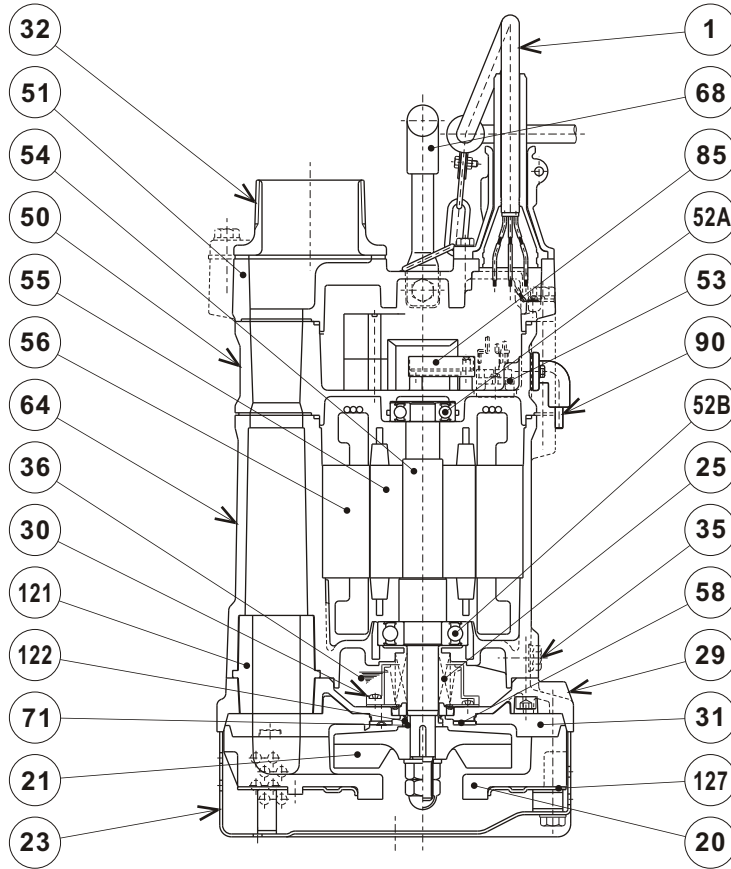




KTVE - SERIES
SEMI-VORTEX - DEWATERING PUMPS (AUTO TYPE)

SECTIONAL VIEW

KTVE33.7-60



ITEM#	DESCRIPTION	MAIN MATERIAL / NOTE	ASTM, AISI CODE		Q'TY
1	Power Cable	Chloroprene Sheath AWG14/4-50ft			1
20	Pump Casing	Butadiene Rubber + Natural Rubber			1
21	Impeller	Ductile Cast Iron	A536 100-70-03	EN 1563 GJS-700-2	1
23	Suction Strainer	Steel (Cold Rolled)	A109/A1008	EN 10130	1
25	Mechanical Seal	Silicon Carbide / H-25T			1
29	Oil Casing	Aluminum Alloy Die Casting	B85 A383,0	EN1706 AC-46100	1
30	Oil Lifter	PBT Resin			1
31	Wear Ring	Butadiene Rubber + Natural Rubber			1
32	Discharge Connection	Cast Iron / NPT 3"	A48M Class30B	EN 1561 GJL-200	1
35	Oil Plug	Stainless Steel	S 30400	1.4301	1
36	Lubricant	Turbine Oil ISO VG32 or SAE10W-20			
50	Motor Bracket	Aluminum Alloy Die Casting	B85 A383,0	EN1706 AC-46100	1
51	Motor Head Cover	Aluminum Alloy Die Casting	B85 A383,0	EN1706 AC-46100	1
52A	Upper Bearing	#6304ZZC3			1
52B	Lower Bearing	#6306ZZC3			1
53	Motor Protector				1
54	Shaft	Stainless Steel	S 40300	1.4000	1
55	Rotor				1
56	Stator				1
64	Motor Housing	Aluminum Alloy Die Casting	B85 A383,0	EN1706 AC-46100	1
68	Handle	Steel (Cold Rolled) + Nitrile Butadiene Rubber	A109/A1008	EN 10130	1
71	Shaft Sleeve	Stainless Steel	S 30400	1.4301	1
85	Relay Unit				1
90	Level Sensor (Electrode)	Stainless Steel + Chloroprene Rubber	S 30400	1.4301	1
121	Duct Sleeve	Styrene Butadiene Rubber			1
122	V-Ring	Nitrile Butadiene Rubber			1
127	Fixing Plate	Steel (Cold Rolled)	A109/A1008	EN 10130	1

PARTS LIST		LIGHTWEIGHT AUTOMATIC DEWATERING PUMP				6/7/2018
ITEM	PART No.	DESCRIPTION	QTY	SIZE	MATERIAL	NOTES
1	010-124-15	Cable Clip Rubber	1	No.3	NBR	
2	140-032-37	Hex.Bolt	1	M6x15	SWRM	
3	010-120-18	Cable Clip	1	No.2-1	SPC	
4	095-131-18	Chain	1	4mm(3L)	SS	
5	141-004-33	Hex.Nut	1	M6	S35C	
6	001-481-31	Cabletyre Cable Set (50') 60Hz (USA)	1	2PNCTF4Cx2mm2	KTV	
7	140-418-15	Hex.Bolt	4	M8x25(B=12)	SUS304	
8	142-210-11	Plain Washer	4	d8.6xd13.4x1t	SUS304	
9	003-122-24	Stuffing Box 60Hz (USA)	1	No.1-1(w/Clamp)	ADC	included with ITEM 6 cable assembly
10	140-033-12	Hex.Bolt	2	M6x16	SUS304	included with ITEM 6 cable assembly
11	008-133-10	Mould Cover 60Hz (USA)	1	No.1-9	CR	included with ITEM 6 cable assembly
12	140-092-19	Hex.Bolt	4	M10x110	SUS304	
13	142-164-19	Spring Washer	4	M10	SUS304	
14	142-128-11	Plain Washer	4	M10	SUS304	
15	068-000-20	Handle	1	KTV2-37	SGP+NBR	
16	142-164-19	Spring Washer	2	M10	SUS304	
17	140-074-15	Hex.Bolt	2	M10x20	SUS304	
18	140-507-12	Hex.Bolt (w/spring & plain washer)	4	M10x35	SUS304	
19	142-128-11	Plain Washer	4	M10	SUS304	
20	032-161-12	Hose Coupling	1	GH-22L(NPT-3)	FC	
21	121-141-15	Packing	1	KRB-3/4	NBR	*
22	051-258-16	Motor Head Cover	1		ADC	
23	143-085-34	Pan Screw (w/Spring Washer)	1	M4x6	C3604	
24	121-449-16	Packing (Water Way, Upp.)	1	KTV2-37	NBR	*
25	016-141-16	Lead Wire Protection Bush	2	KTVE33.7		
26	114-000-89	Relay Unit	1Set	ME0K1-KA3		interchangeable with OLD part# 114-000-65
	143-183-17	Truss Screw	4	M3x20	SUS304	
27	143-136-15	Truss Screw	2	M4x10	SWRM	
28	053-507-19	Motor Protector 220V-60Hz(USA)	1	KA313-GAXL110	(T.C)	
	053-422-19	Motor Protector 440V-60Hz(USA)	1	KA313-GBXL103	(T.C)	
29	143-169-17	Truss Screw	2	M3x8	SWRM	
30	115-134-16	Transformer 220V-60Hz(USA)	1	EK200/20		
	115-149-14	Transformer 440V-60Hz(USA)	1	EK400/20		
31	122-298-11	O-Ring	1	160xd3.8	NBR	*
32	140-427-17	Hex Bolt with Plain Washer	2	M5x15	SUS304	replaced 143-031-22 pan screw
33	090-000-43	Electrode Level Sensor (for USA)	1Set	KTVE	CR	interchangeable with OLD part# 090-115-11 (rev1) and 090-000-23 (rev2) and 090-000-40 (rev3)
	090-124-13	Probe Extension (OPTION)	1		SUS304	OPTIONAL ACCESSORY
34	143-019-11	Pan Screw	2	M4x16	SWRM	

* Indicates items included in set

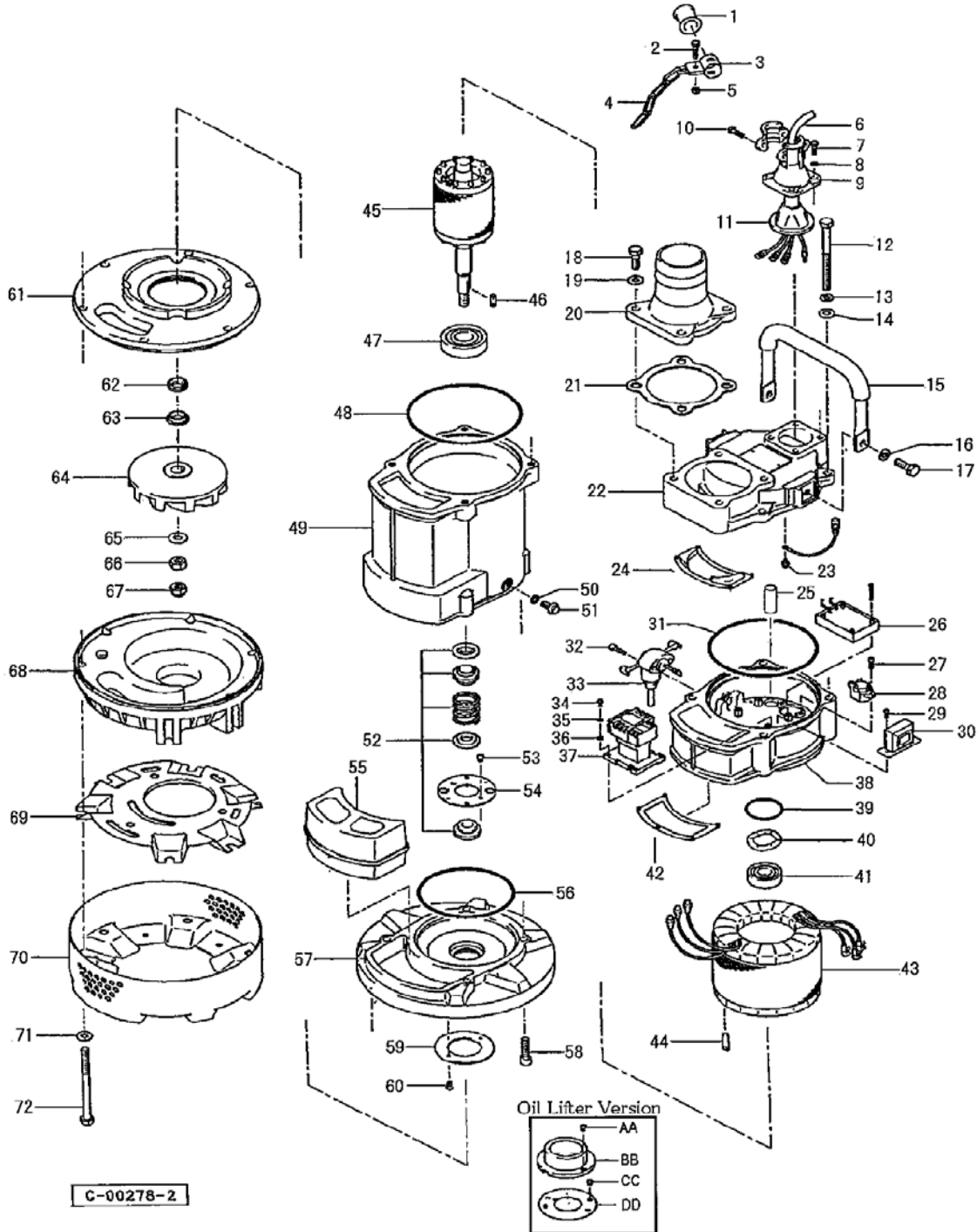
PARTS LIST		LIGHTWEIGHT AUTOMATIC DEWATERING PUMP				6/7/2018
ITEM	PART No.	DESCRIPTION	QTY	SIZE	MATERIAL	NOTES
35	142-160-31	Spring Washer	2	M4	SWRH	
36	142-124-20	Plain Washer	2	M4	SPC	
37	114-168-16	Electromagnetic Contactor	1Set	SD-M19/SD-Q19		
38	050-457-14	Motor Bracket	1		ADC	
39	122-367-12	O-Ring	1	52xd3.1	NBR	*
40	142-196-10	Wave Washer	1	6205/6304	SK5	
41	052-107-12	Bearing	1	6304ZC3		
42	121-558-19	Packing (Water Way, Mid.)	1	KTVE33.7-50/60	NBR	*
43	056B6813	Stator 220V-60Hz(USA)	1Set			
	056-002-42	Stator 440V-60Hz(USA)	1Set			
44	145-029-10	Stator Set Pin	1	d8x30	S45C	
45	055-667-14	Rotor	1Set	w/Bearing		
46	147-129-17	Impeller Key	1	5x5x22l	SUS403	
47	052-109-14	Bearing	1	6306ZC3		
48	122-298-11	O-Ring	1	160xd3.8	NBR	*
49	064-000-80	Motor Frame	1		ADC	
50	121-246-11	Packing	1	d10.3xd16x2t	PE	*
51	035-125-13	Oil Plug	1	M10x20(B=13)	SUS304	
52	025-001-00	Mechanical Seal	1	H-25T (RoHS)	SiC	supercedes 025-255-12 and 025-000-07
53	143-070-10	Pan Screw	2	M5x6	SWRM	
54	030-123-16	Seal Stopper	1	H-25	SPC	
55	121-001-03	Packing (Water Way, Low.)	1	KTV2-37	SBR	*
56	122-139-13	O-Ring	1	G-140(139.4xd3.1)	NBR	*
57	029-000-78	Oil Casing	1	KTV2-37	ADC	
58	140-288-14	Hex.Socket Cap Bolt	4	M10x35	SUS304	
59	058-000-26	Protection Plate	1	d36xd85x3t	SUS304	interchangable w/OLD part# 058-000-08
60	143-166-14	Flat Screw	2	M4x8	SUS304	
61	031-000-09	Wear Ring	1	KTV2-37	BR+NR	
62	122-444-14	V-Ring	1	VR-25	NBR	
63	071-298-10	Shaft Sleeve	1	d20xd25x9l	SUS304	
64	021F7711	Impeller (60Hz)	1	KTVE33.7-60	FCD	
65	142-130-16	Plain Washer	1	M16	SUS304	
66	141-008-11	Hex.Nut	1	M16	SUS304	
67	141-033-15	Hex.Cap Nut	1	M16	SUS304	
68	020-000-36	Pump Casing	1	KTV2-37	BR+NR	
69	127-250-16	Fixing Plate	1	KTV2-37	SPCC	
70	023-434-11	Strainer Stand	1	KTV2-37	SPCC	
71	142-128-11	Plain Washer	6	M10	SUS304	

PARTS LIST		LIGHTWEIGHT AUTOMATIC DEWATERING PUMP				6/7/2018
ITEM	PART No.	DESCRIPTION	QTY	SIZE	MATERIAL	NOTES
72	140-091-18	Hex.Bolt	6	M10x100	SUS304	
AA	143-070-23	Pan Screw	2	M5x6	SWRM	
BB	030-143-12	Oil Lifter	1	H-25(A)(T)	Resin	
CC	143-070-10	Pan Screw	2	M5x6	SWRM	
DD	030-152-14	Seal Stopper	1	H-25(A)(T)	SPCC	
	173-553-15	Packing O-Ring Set	1Set	(Marked by *)		
21	121-141-15	Packing (Hose Coupling)	1	KRB-3/4	NBR	*
24	121-449-16	Packing (Water Way, Upp.)	1	KTV2-37	NBR	*
31	122-298-11	O-Ring (Head Cover/M.Bracket)	1	160xd3.8	NBR	*
39	122-367-12	O-Ring (Upp. Bearing)	1	52xd3.1	NBR	*
42	121-558-19	Packing (Water Way, Mid.)	1	KTVE33.7-50/60	NBR	*
48	122-298-11	O-Ring (M.Bracket/M.Frame)	1	160xd3.8	NBR	*
50	121-246-11	Packing (Oil Plug)	1	d10.3xd16x2t	PE	*
55	121-001-03	Packing (Water Way, Low.)	1	KTV2-37	SBR	*
56	122-139-13	O-Ring (M.Frame/O.Casing)	1	G-140(139.4xd3.1)	NBR	*
		Lubricant		Turbine Oil VG32 400ml		

PARTS LIST		LIGHTWEIGHT AUTOMATIC DEWATERING PUMP				6/7/2018
ITEM	PART No.	DESCRIPTION	QTY	SIZE	MATERIAL	NOTES

EXPLODED VIEW

KTVE33.7-60



C-00278-2